

EQUALIZING & RELIEF VALVES

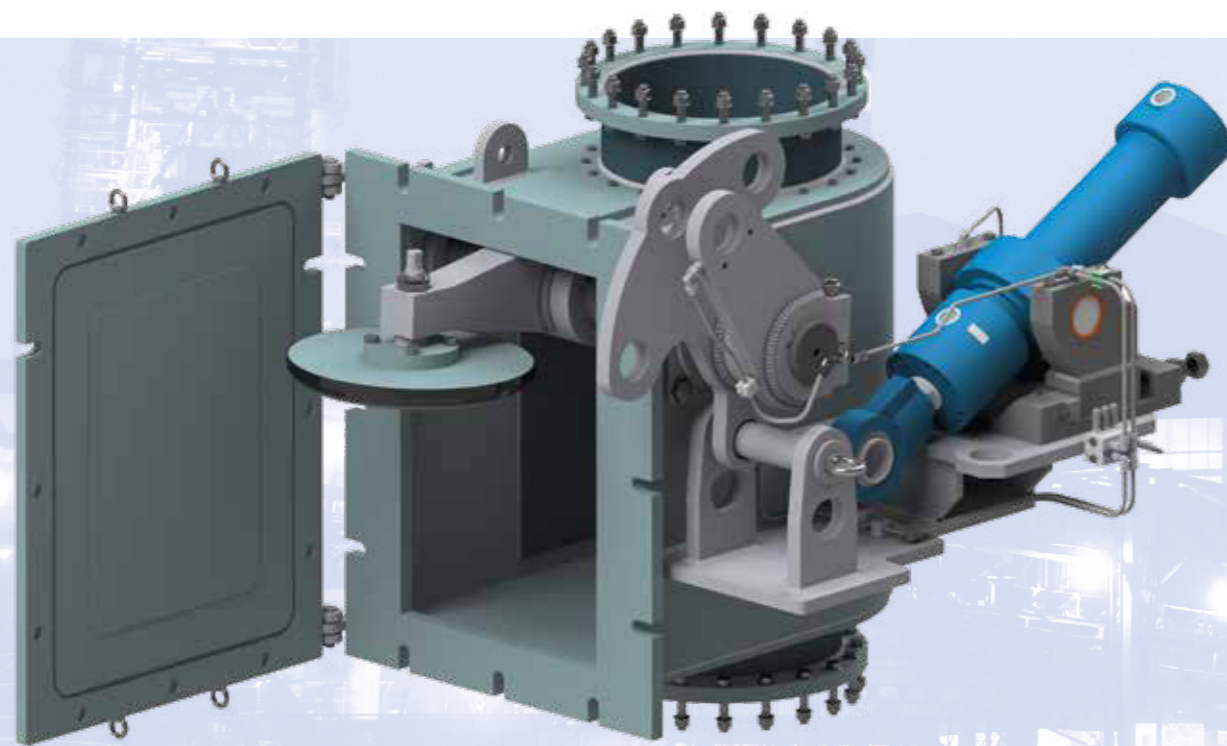
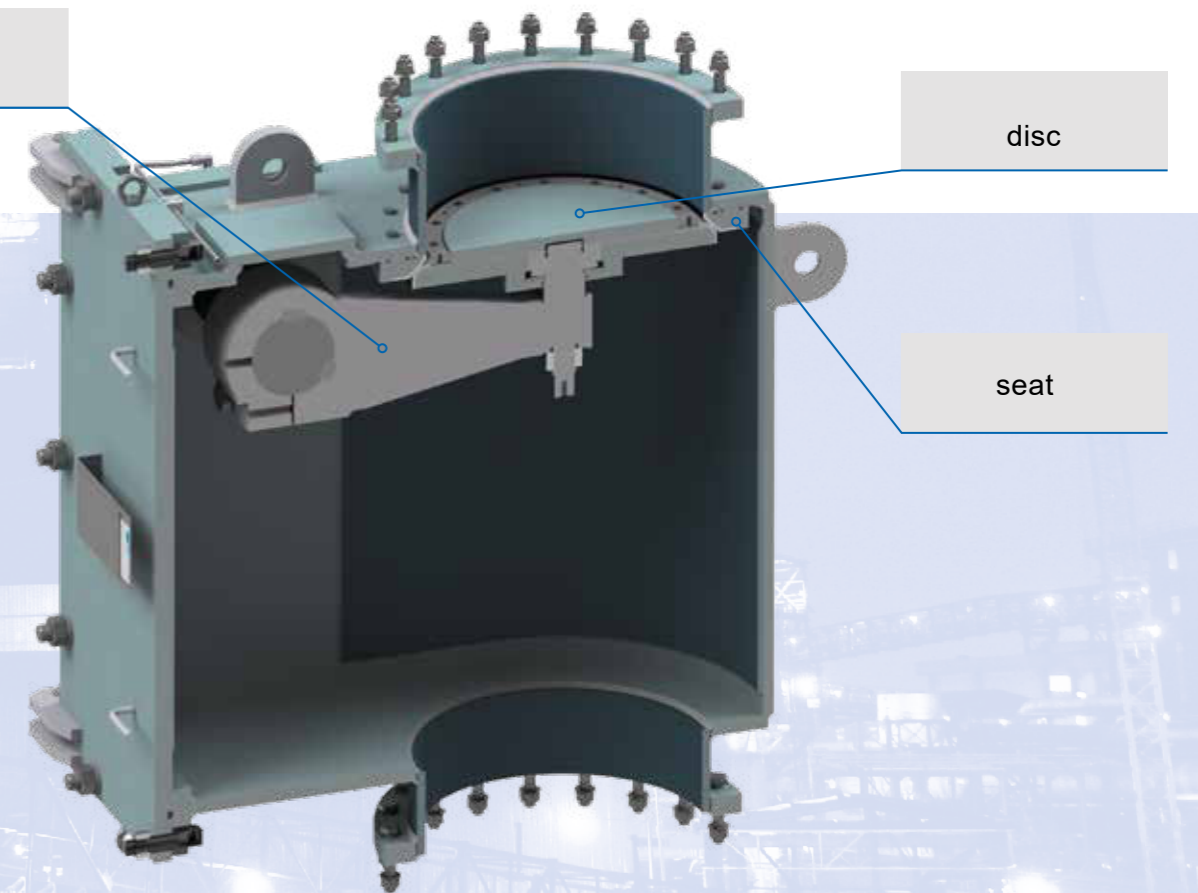
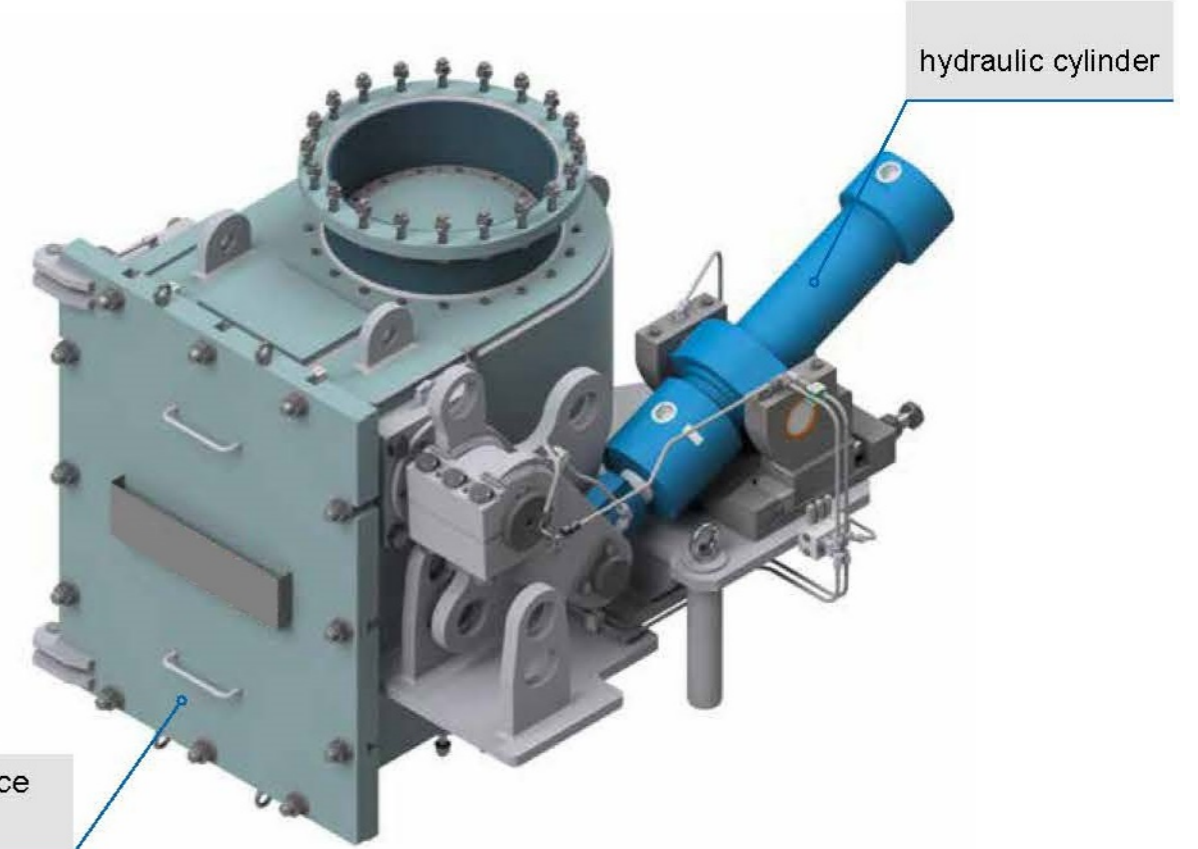
DESIGN FEATURES OF EQUALIZING VALVES

- Fabricated construction
- Adjustable valve actuation with hydraulic cylinder (Standard)
- Pressure rating up to 3.0 bar Service
- temperatures up to 300 °C
- Nominal sizes DN 300 - DN 600
- Other sizes or operating conditions on request

DESIGN ADVANTAGES

- Dismantling of internals (seat / lever-flap-unit) can pass through the large maintenance door
- Reduced maintenance and improved accessibility of equipment components
- Higher reliability & availability thanks to continuously improved design and customer feedback over several years

Full opening diameter [mm]	300-600
Opening time [s]	3
Closing time [s]	3
Max furnace top pressure [bar]	3
Hydraulic pressure on cylinder [bar]	180-200



IRON & STEEL PRODUCT RANGE

GOGGLE VALVES



GUIDE LEVER VALVES



DOUBLE ECCENTRIC VALVES



BLEEDER VALVES



DUST DISCHARGE VALVES



HOT BLAST VALVES (ENERGY SAVING)



TUYERE STOCKS VALVES (ENERGY SAVING)



WEDGE GATE VALVES

ADDITIONAL PRODUCTS

SNORT VALVES | BACK DRAFT VALVES | BUTTERFLY & LOUVER VALVES | NON RETURN VALVES | LINE BLINDS

ADDITIONAL SERVICES

REPAIR SERVICE | REFURBISHMENT & MODIFICATIONS, SPARE PARTS FOR EACH KIND AND BRAND OF VALVES

The information and specifications contained in this literature are considered accurate. However, they are supplied for informative purposes and should not be considered certified. The products of BOMAF A Group are continually being improved and the specifications, dimensions and information contained in this catalogue are subject to change without notice. For additional information or confirmation, please consult your BOMAF A Group representative.

Quality Management System



ISO 9001-2015

Head Office:

BOMAF A Oil & Gas GmbH

Hohensteinstr. 52
44866 Bochum / Germany

Tel: +49 (0) 2327 992 - 0
Fax: +49 (0) 2327 314 - 43
Email: sales@bomafa.eu
Website: www.bomafa.eu

